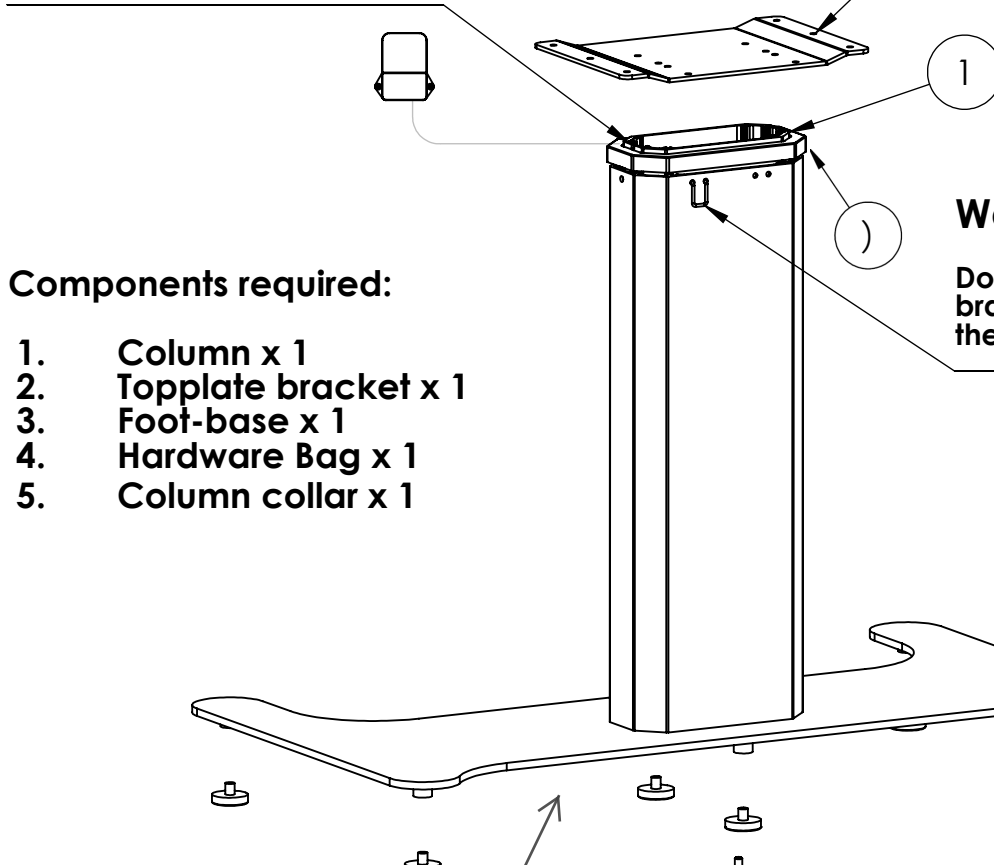


Cable outlet for right operated table is marked with a red dot inside !



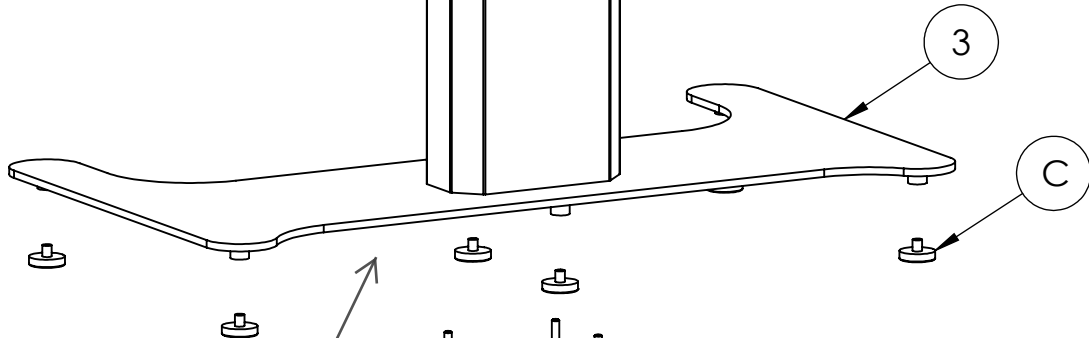
Warning !

Do NOT remove the safety bracket before the table is fully assembled.

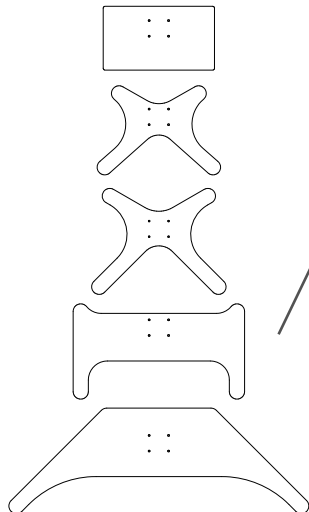
(see page 2)

Components required:

- 1. Column x 1
- 2. Topplate bracket x 1
- 3. Foot-base x 1
- 4. Hardware Bag x 1
- 5. Column collar x 1







Foot-base Variations

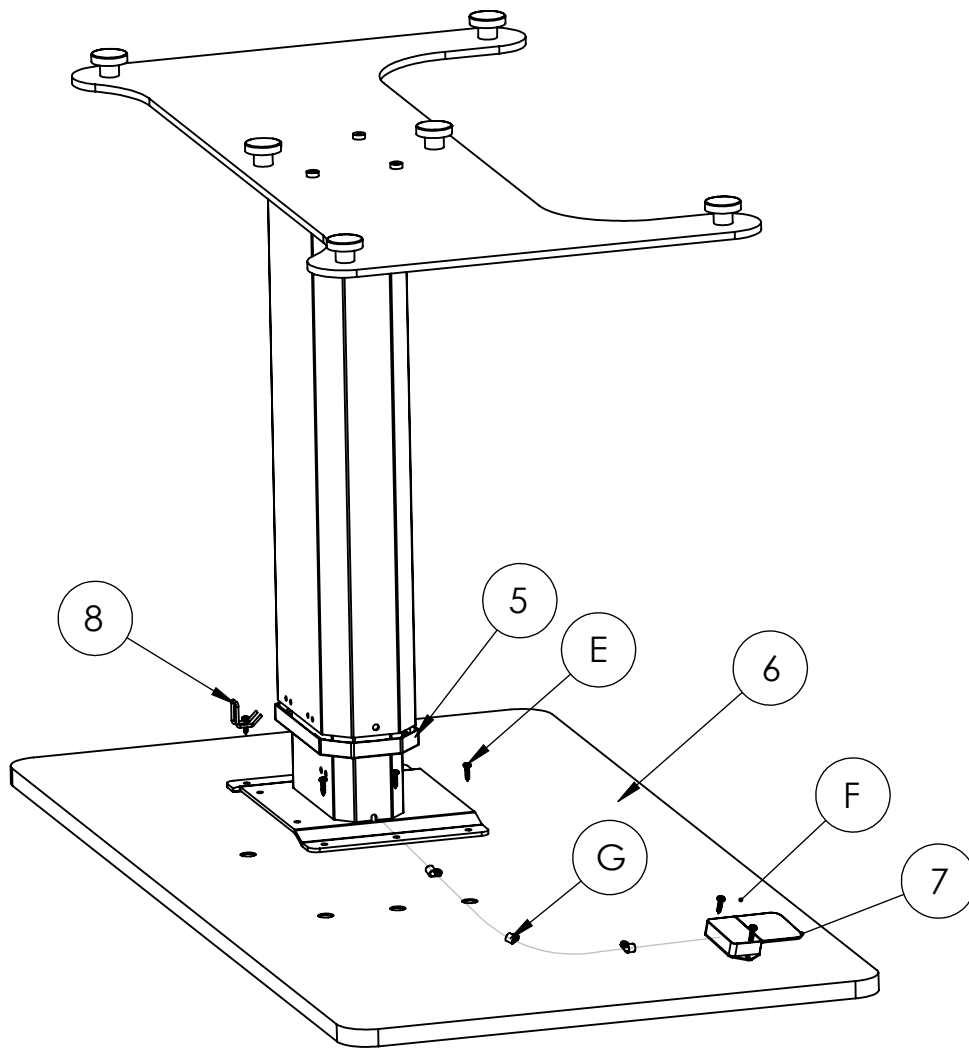


Assembly steps:

1. Slide column collar(5) over the top of the column. Do not lock in place. Allow column collar to sit loosely on column as shown.
2. Attach top-plate bracket(2) to the column(1) using four m6x25 screws(A).
Note: Make sure to mount the top-plate bracket(2) to the column with the side NOT marked with a red dot. The side marked with a red dot should be away from the column.
3. Attach six table glides(C) to Foot-base(3), and mount the foot-base(3) to the column(1) using four m8x30 screws(B).

Hardware:


- | | | | |
|-------------------------------------------------------------------------------------|-------------------------------------------------------------------------------------|-------------------------------------------------------------------------------------|-------------------------------------------------------------------------------------|
|  |  |  |  |
| A. R011058
4x (m6 x 25) | B. R011043 x
4 x(m8 x 30) | C. RM-175
6x (Glide) | D. R011905
1x (6mm Hex Key) |





Assembly steps:


4. Attach assembled frame to table-top(6) using six 5x20mm wood screws(E), or six flange screws m6x16mm(E1) when using threaded inserts in the table top.
5. Mount locking paddle(7) with two 4x16mm wood screws(F), and use cable clamps(G) with 4x16mm wood screws(F) to affix the locking cable to the table top. (NOTE: Make sure not to bend or crimp the cable.)
6. Place the assembled table on the floor in upright position. Remove the safety pin(8) by depressing the handle(7), applying downward pressure to the table top(6), and pulling the pin(8) outward.
7. Gently press the column collar(5) in place on outer column. Workstation is ready for use!

Hardware:

E. 
R011502 x 6
(PH 5x20mm)

F. 
R011500 x 5
(PH 4x16mm)

G. 
R010230 x 3
(ø7,9mm)

E1. 
R011057 x 6
(Flange m6 x 16mm)

H. 
R011921 x1