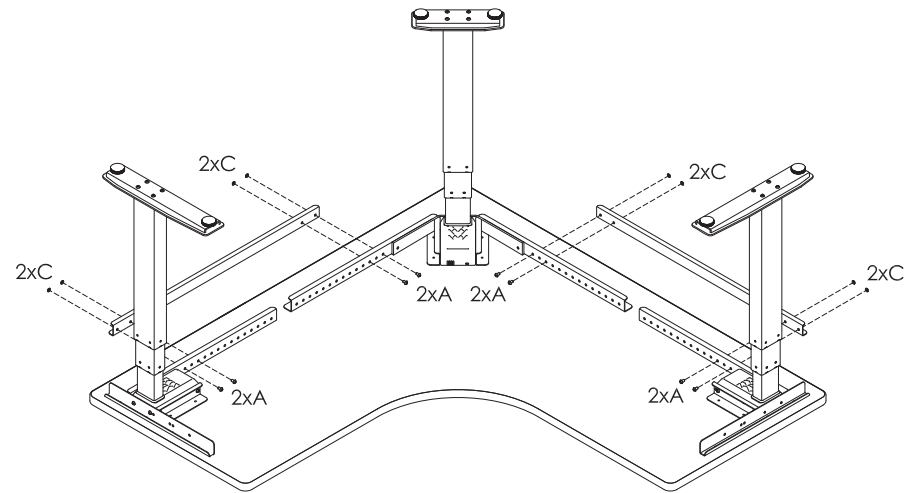
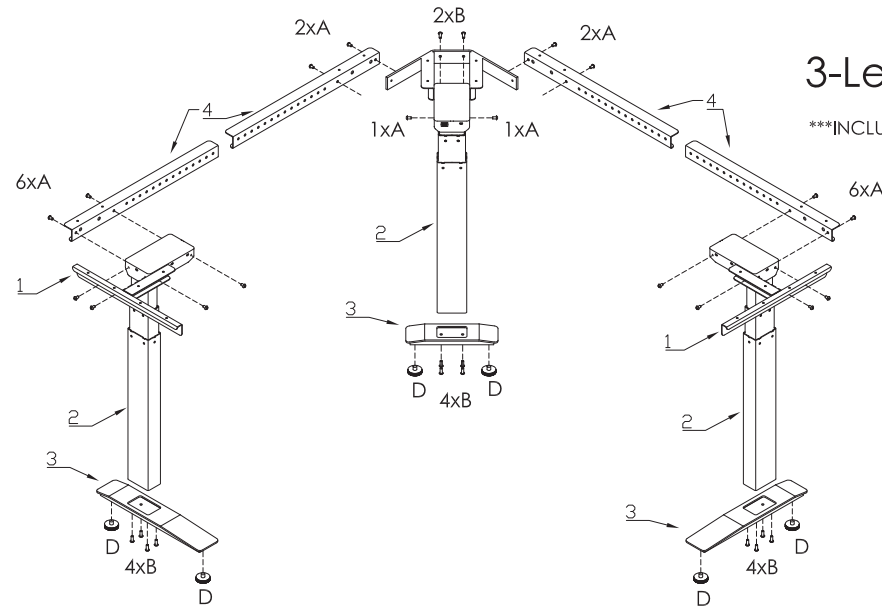


3-Leg Electric Base SX, SE

***INCLUDES 8 EXTRA R011057(M6X16) SCREWS FOR THREAD



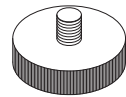
A x 26 (m6x8)
R011073



B x 22 (m6x16)
R011057



C x 8 (nut)
R011172



D x 6
RM-175



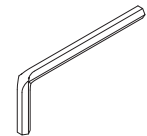
E x 37 (5x25mm)
R011528



F x 22 (4x16mm)
R011500



G x 16 (wire clip)
R010230



HEX WRENCH
R011921