

2-Leg Electric Base SXL, SEL

Components required:

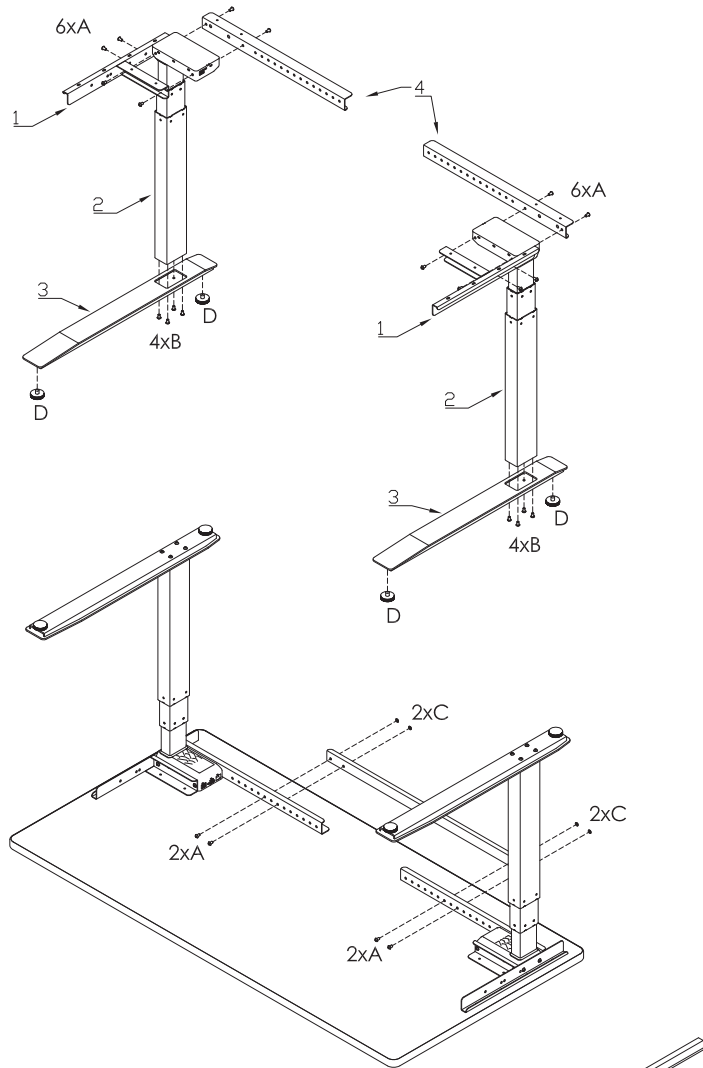
1. Top Plate x2
2. Primary Leg(master) x1
3. Secondary Leg x1
4. Foot x 2
5. Crossbar x1
6. Control Switch x1
7. 120v Power Cord x1
8. Network Cable x1
9. Hardware Bag x1

INCLUDES 8 EXTRA R011057 (M6X16) SCREWS FOR THREADED INSERTS, INCLUDES 2 EXTRA R011501 (4x50mm) WOOD SCREWS

Assembly Steps:

1. Attach top plate to each leg(2)&(3), using four m6x8 screws(A).
2. Attach foot(4) to each leg(2)&(3) using four m6x16 screws(B) on each leg.
3. Attach two glides(D) to each foot(4).
4. Attach adjustable crossbar end sections to the back of each leg(2)&(3) with two m6x8(A) machine screws.
- 4a. NOTE: Depending on frame model, supplied horizontal crossbar may be fixed length without adjustment feature. Skip to step 6 on page 2 of 2.

5. Line up holes in top plate(1) with corresponding pilot holes on the underside of the table top. Attach center section of adjustable crossbar to end sections with four m6x8(B) machine screws and four lock nuts(C) along aligned hole pattern in adjacent crossbar sections.



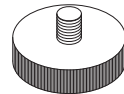
A x 16 (m6x8)
R011073



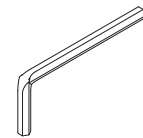
B x 16 (m6x16)
R011057



C x 4 (nut)
R011172



D x 4
RM-175

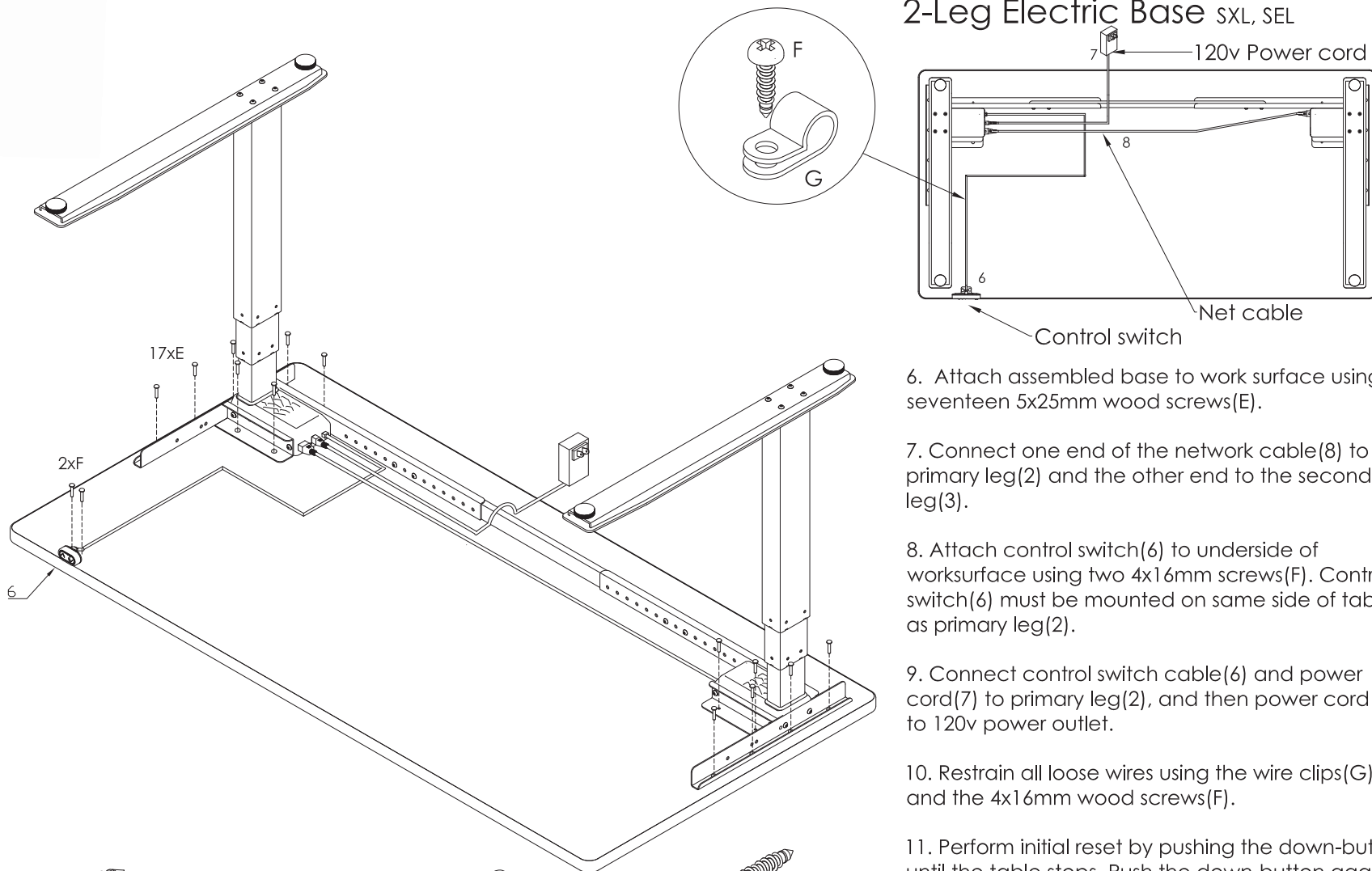


HEX WRENCH
R011921

Note: Additional hardware shown on page 2 of 2

Tools required: Drill driver, PHILLIPS bit PH1 and PH2. Hex key 4mm.

2-Leg Electric Base SXL, SEL



6. Attach assembled base to work surface using seventeen 5x25mm wood screws(E).

7. Connect one end of the network cable(8) to the primary leg(2) and the other end to the secondary leg(3).

8. Attach control switch(6) to underside of worksurface using two 4x16mm screws(F). Control switch(6) must be mounted on same side of table as primary leg(2).

9. Connect control switch cable(6) and power cord(7) to primary leg(2), and then power cord(7) to 120v power outlet.

10. Restrain all loose wires using the wire clips(G) and the 4x16mm wood screws(F).

11. Perform initial reset by pushing the down-button until the table stops. Push the down-button again and "hold it" until the legs stop moving.

11. Troubleshooting: Make sure that all cables are correctly connected to the control box, legs, control switch, and power source. Perform a new reset and make sure the procedure has completely finished before normal operation.

